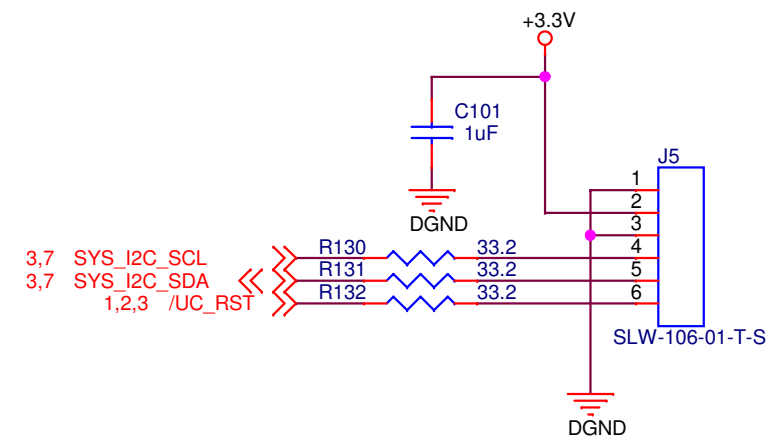
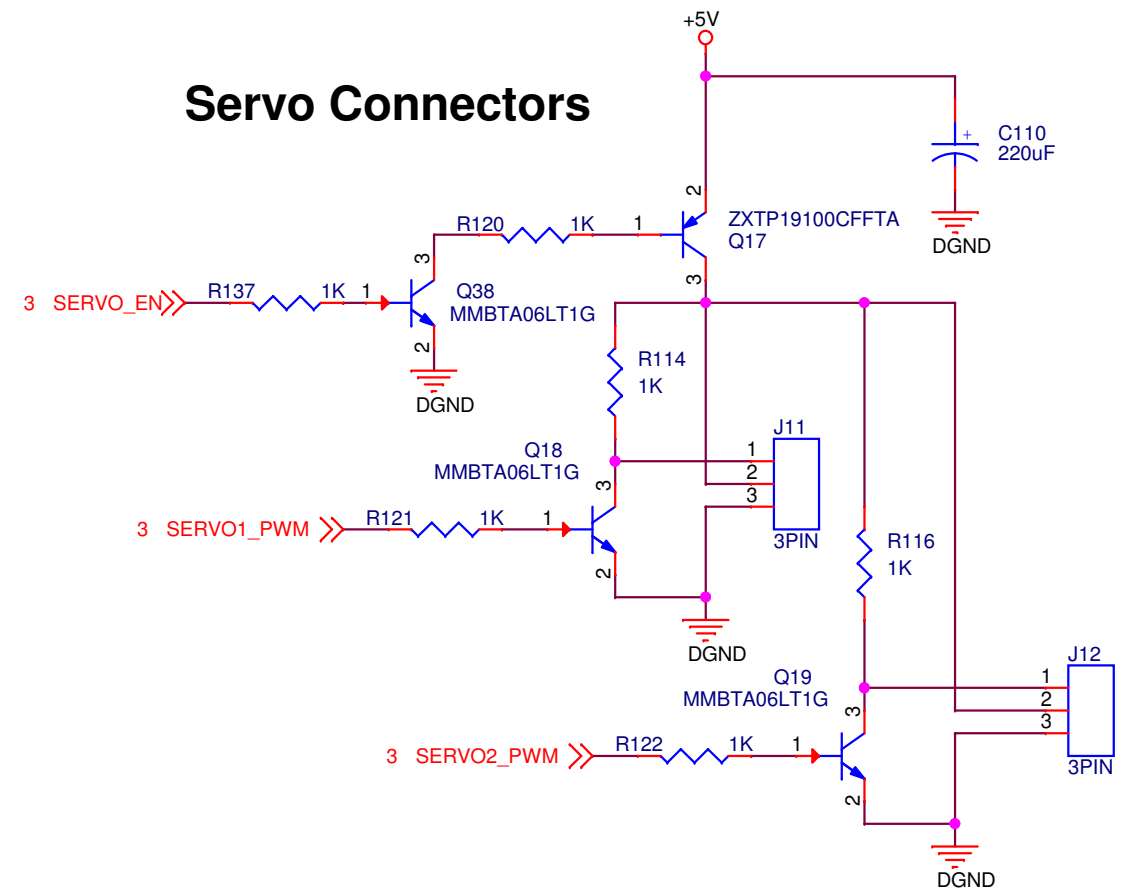


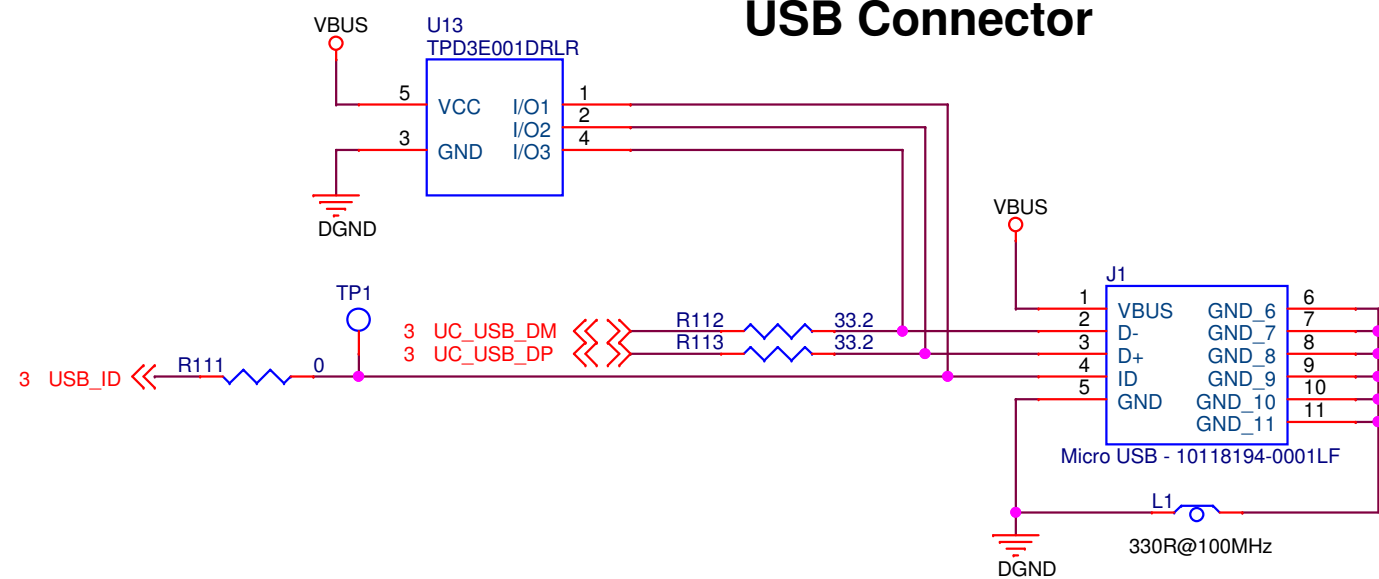
### OLED Connector




### Servo Connectors

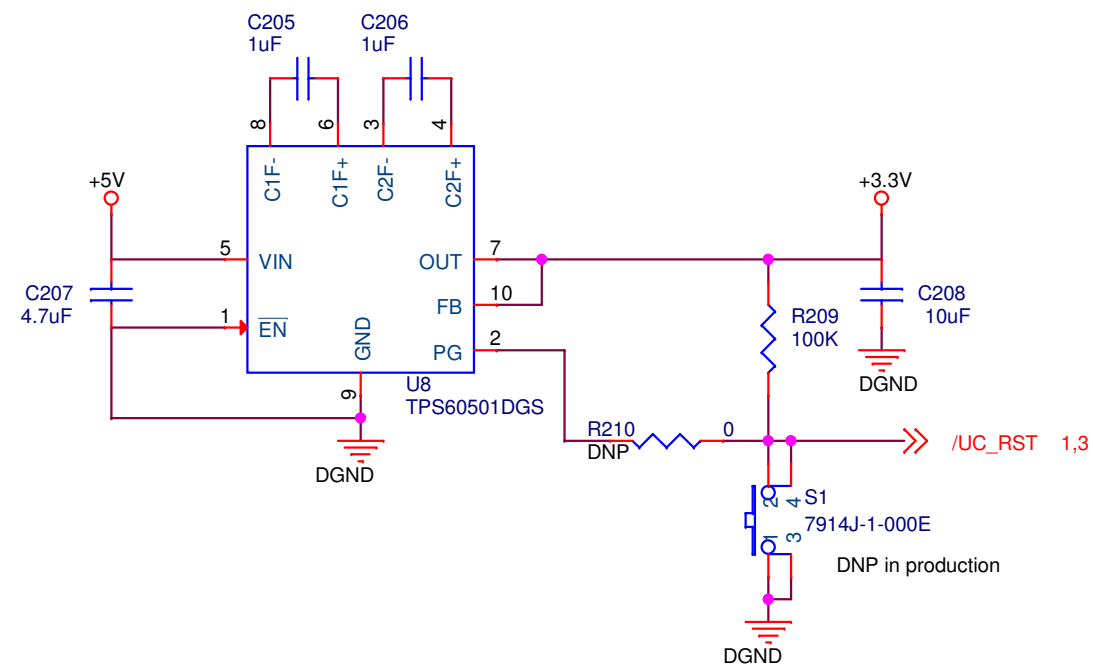



### USB Connector



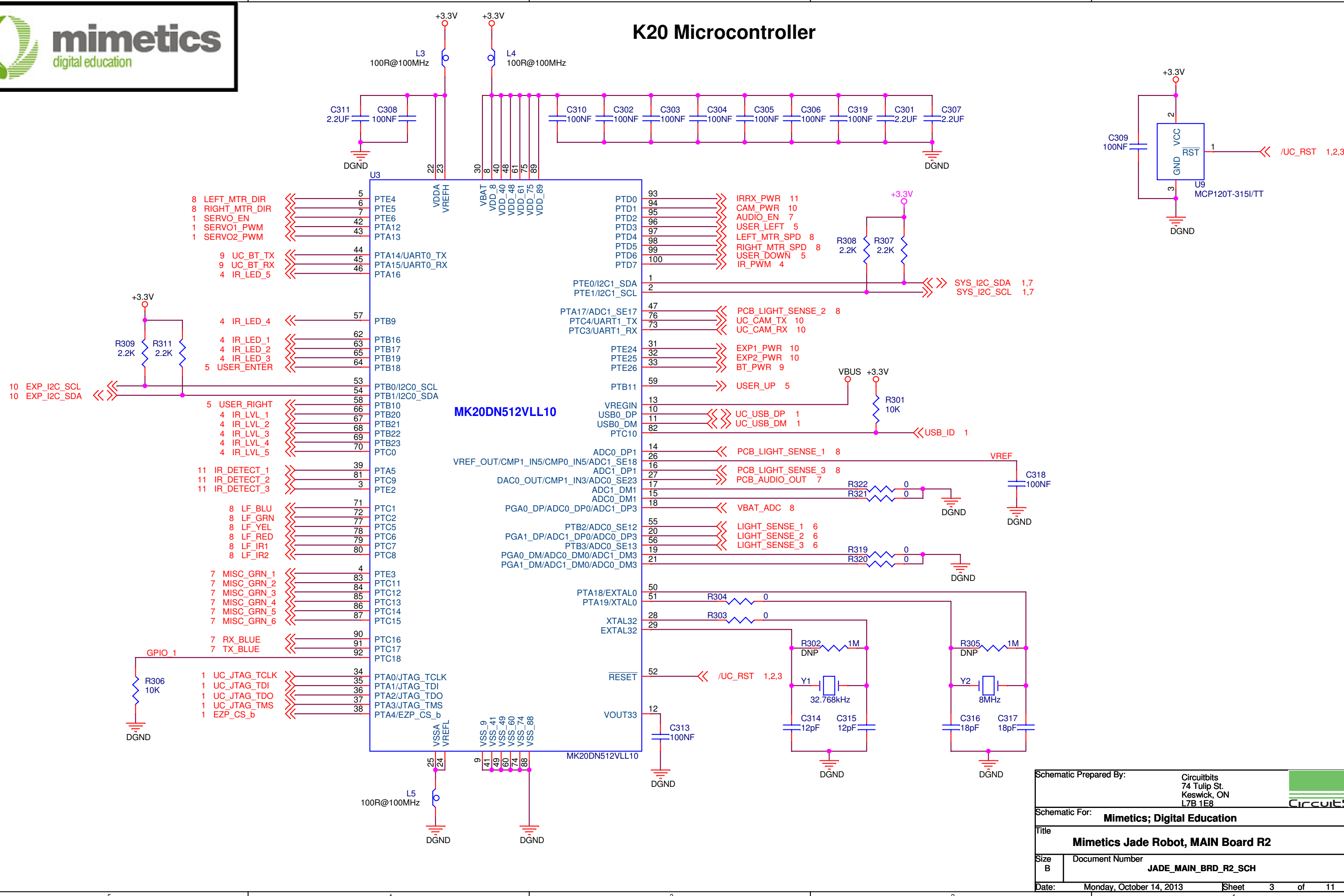
Schematic Prepared By:		Circuitbits 74 Tulip St. Keswick, ON L7B 1E8	
Schematic For:		<b>Mimetics; Digital Education</b>	
Title <b>Mimetics Jade Robot, MAIN Board R2</b>			
Size B	Document Number <b>JADE_MAIN_BRD_R2_SCH</b>	Rev B	
Date:	Monday, October 14, 2013	Sheet	1 of 11

### +3.3V Regulator



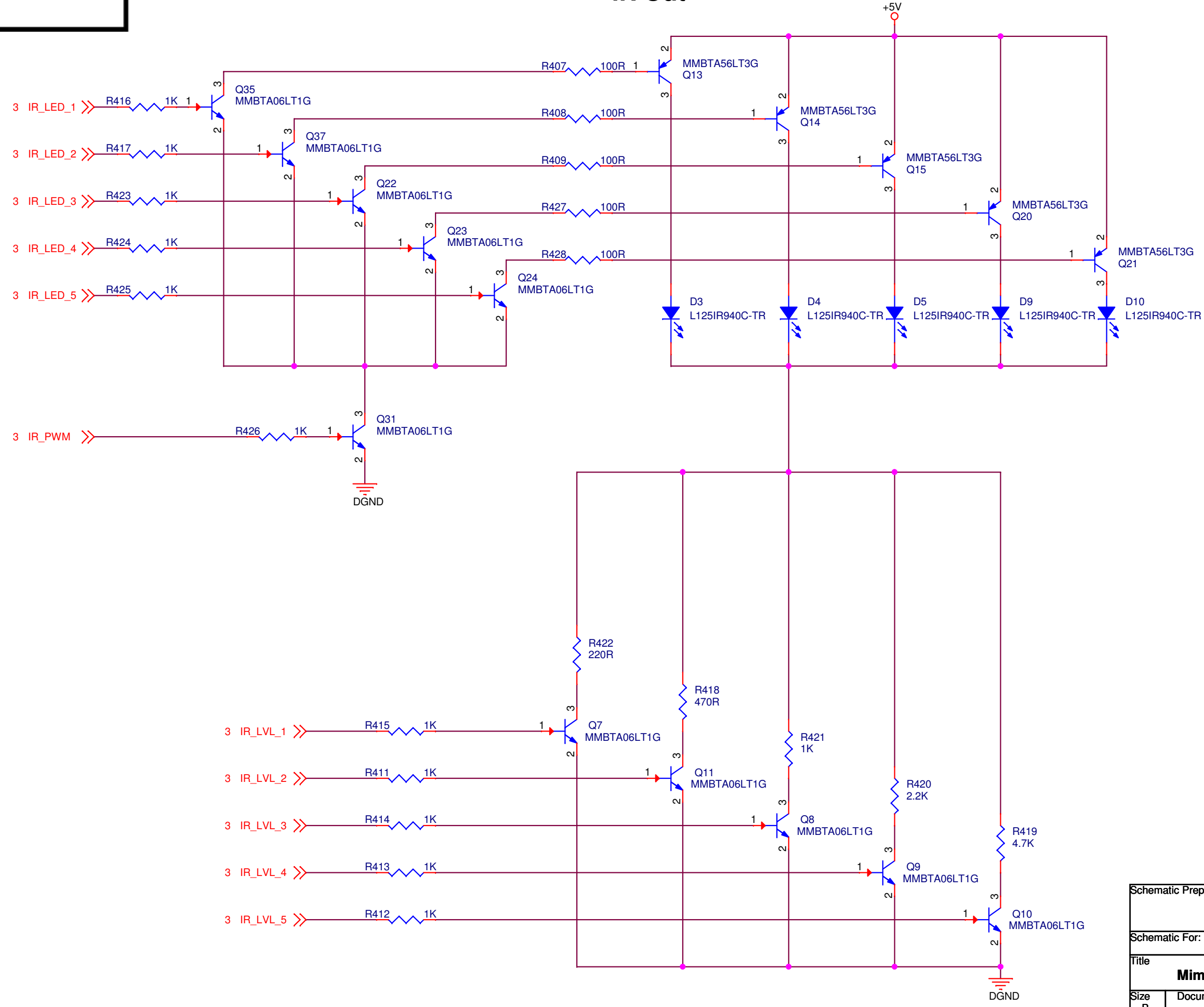
Schematic Prepared By:		Circuitbits 74 Tulip St. Keswick, ON L7B 1E8	
Schematic For:		<b>Mimetics; Digital Education</b>	
Title		<b>Mimetics Jade Robot, MAIN Board R2</b>	
Size B	Document Number	<b>JADE_MAIN_BRD_R2_SCH</b>	Rev B
Date:	Monday, October 14, 2013	Sheet 2 of 11	1


# K20 Microcontroller



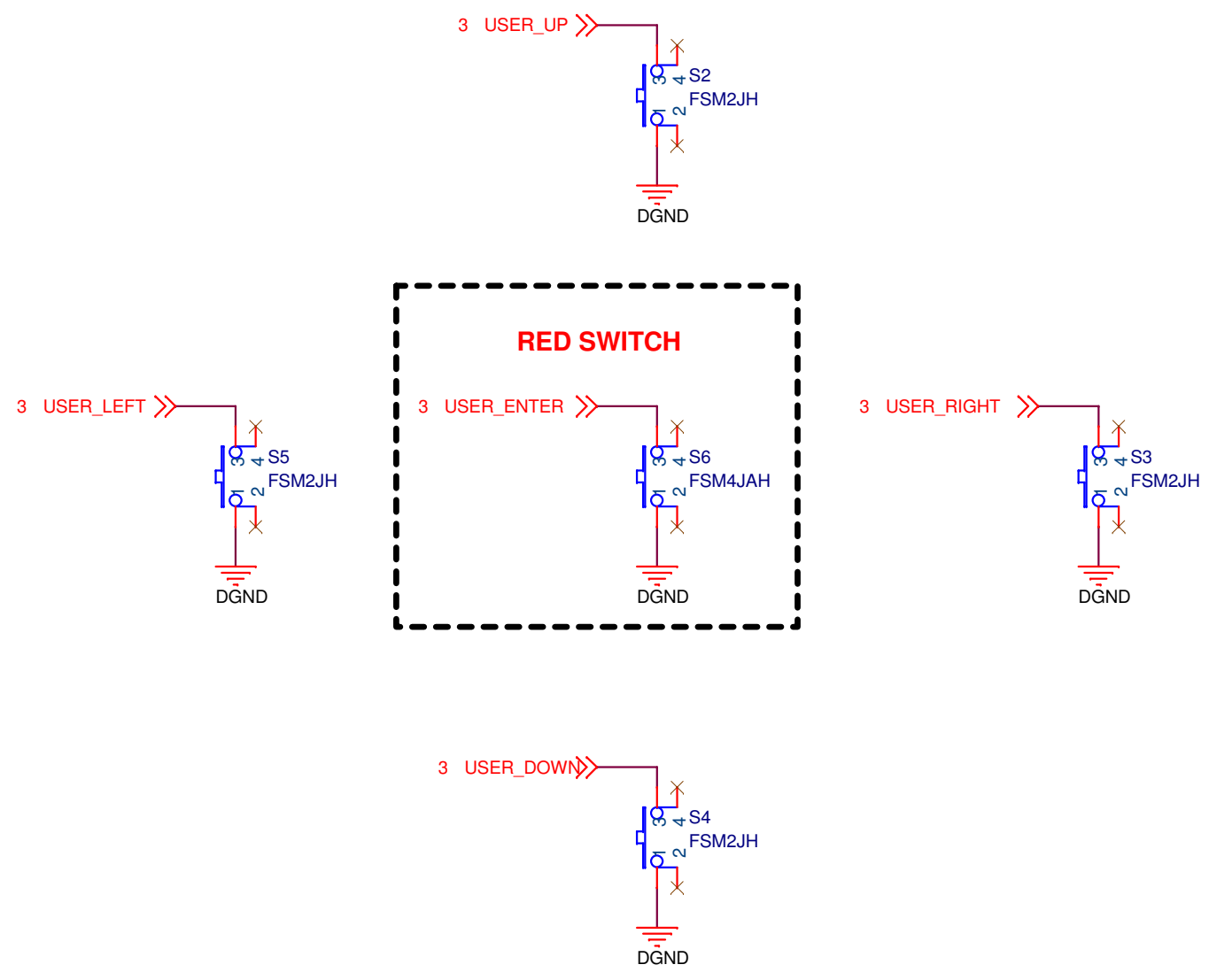
Schematic Prepared By:		Circuitbits 74 Tulip St. Keswick, ON L7B 1E8		
Schematic For:		Mimetics; Digital Education		
Title				
Mimetics Jade Robot, MAIN Board R2				
Size B	Document Number			Rev B
	JADE_MAIN_BRD_R2_SCH			
Date:	Monday, October 14, 2013	Sheet	3 of 11	


# IR Out



Schematic Prepared By:		Circuitbits 74 Tulip St. Keswick, ON L7B 1E8	
Schematic For:		<b>Mimetics; Digital Education</b>	
Title <b>Mimetics Jade Robot, MAIN Board R2</b>			
Size B	Document Number <b>JADE_MAIN_BRD_R2_SCH</b>	Rev B	
Date:	Monday, October 14, 2013	Sheet	4 of 11

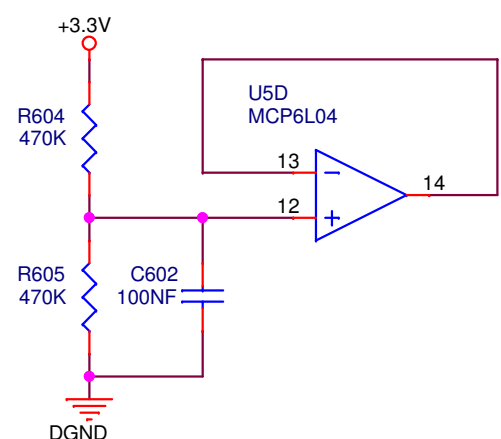
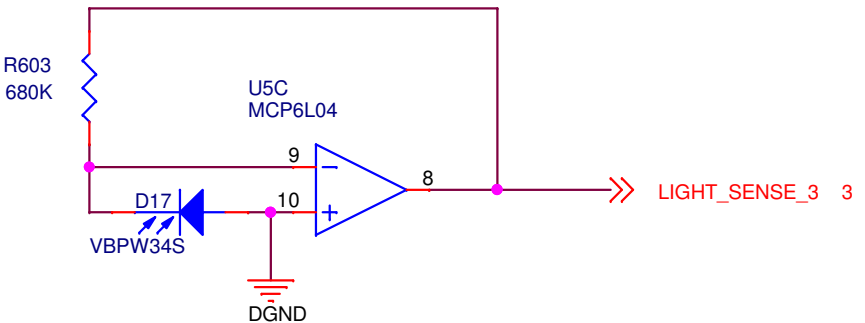
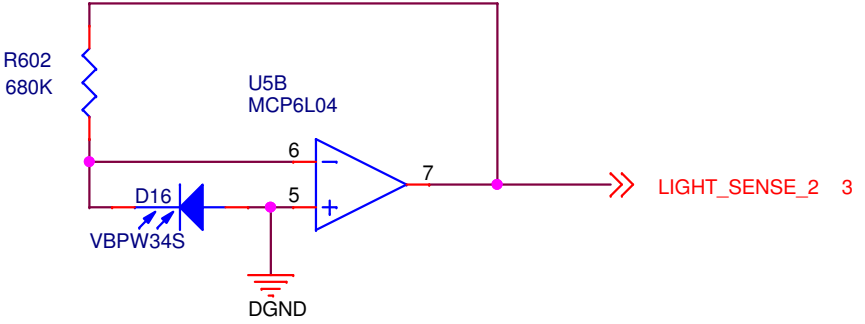
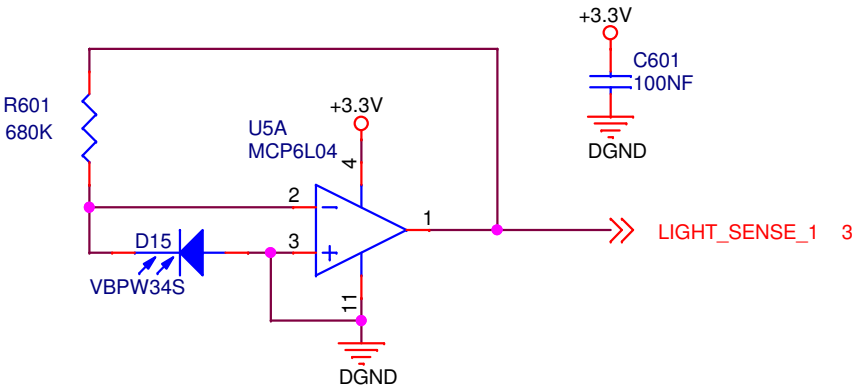
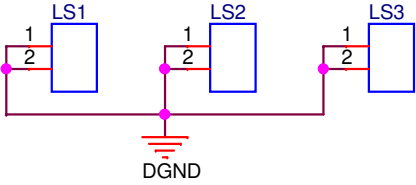
### User Inputs - Buttons




Schematic Prepared By:		Circuitbits 74 Tulip St. Keswick, ON L7B 1E8	
Schematic For:		<b>Mimetics; Digital Education</b>	
Title		<b>Mimetics Jade Robot, MAIN Board R2</b>	
Size B	Document Number	JADE_MAIN_BRD_R2_SCH	Rev B
Date:	Monday, October 14, 2013	Sheet	5 of 11

# Light Sensors

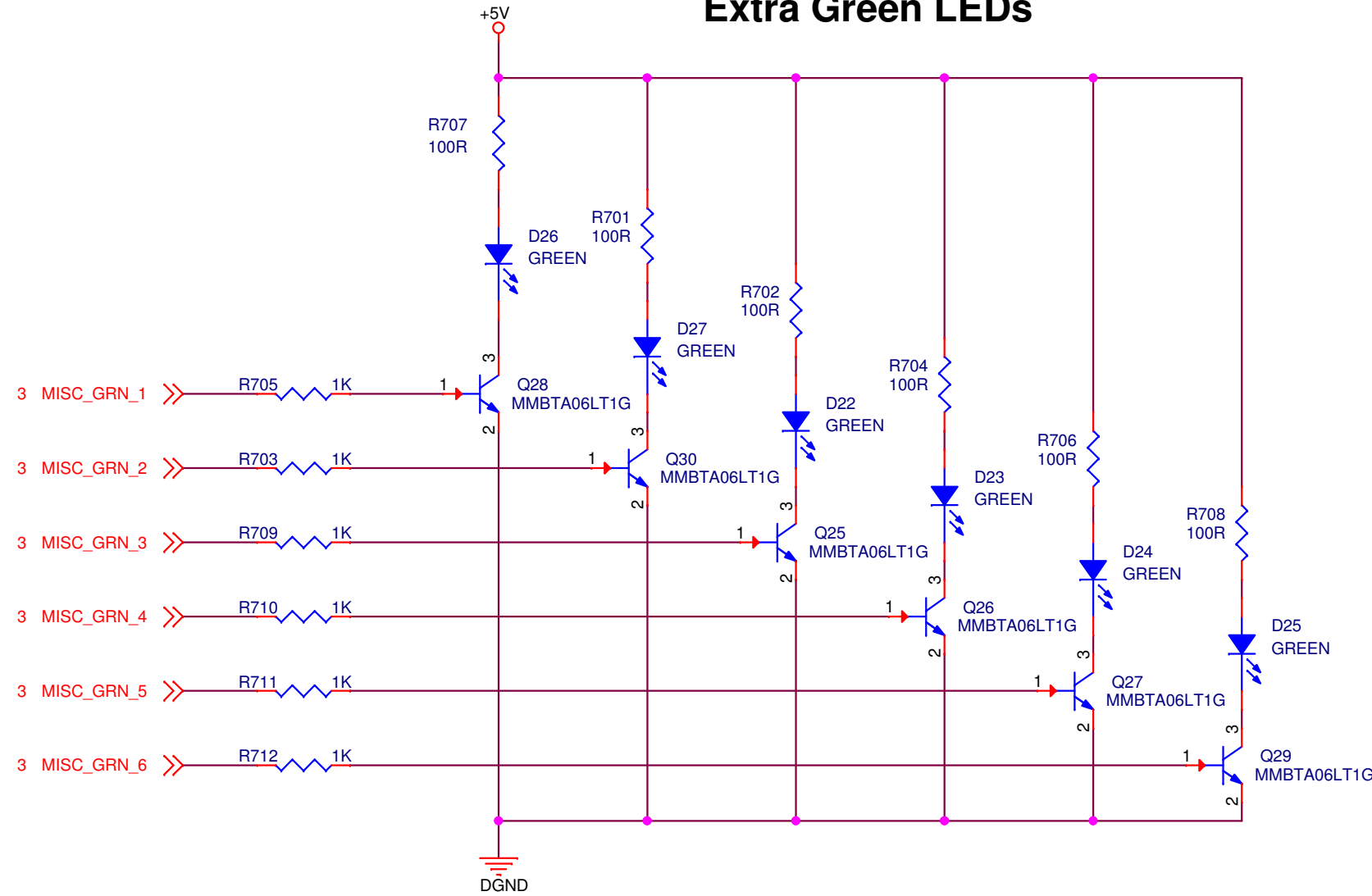
## Light Shields



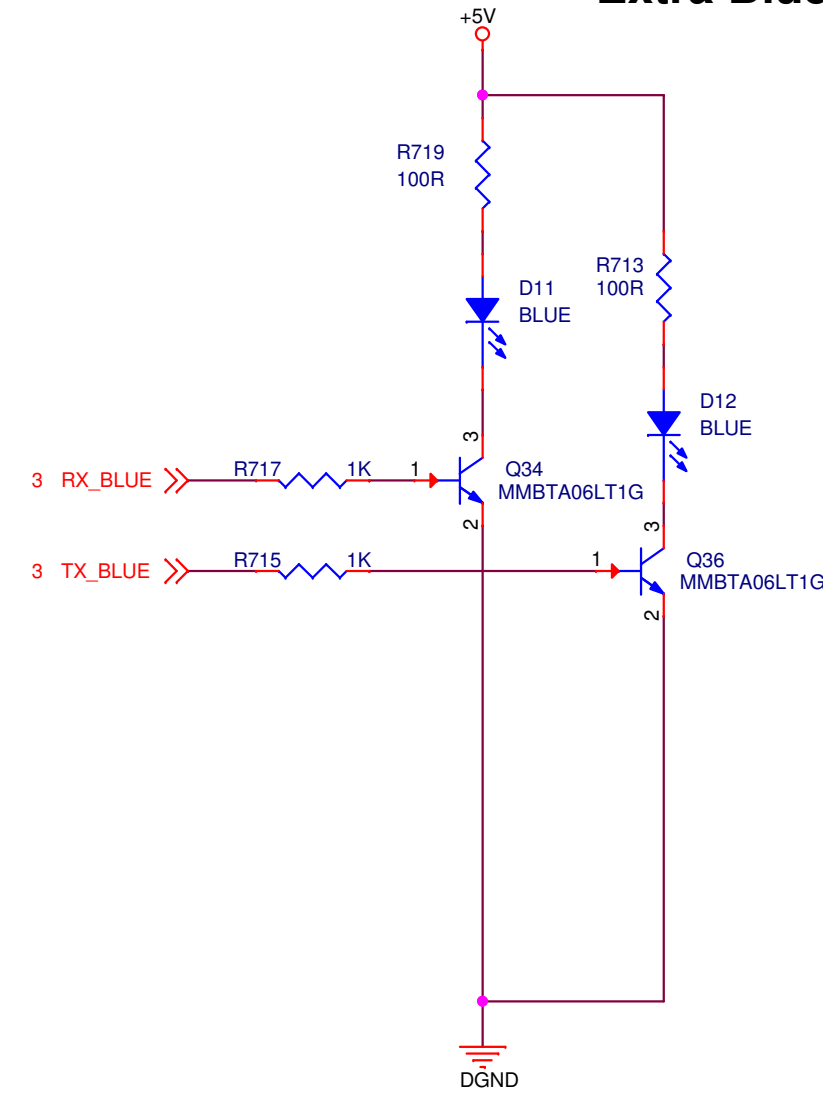
Schematic Prepared By:		Circuitbits 74 Tulip St. Keswick, ON L7B 1E8	
Schematic For:		<b>Mimetics; Digital Education</b>	
Title		<b>Mimetics Jade Robot, MAIN Board R2</b>	
Size B	Document Number	JADE_MAIN_BRD_R2_SCH	Rev B
Date:	Monday, October 14, 2013	Sheet	6 of 11

# Miscellaneous Outputs

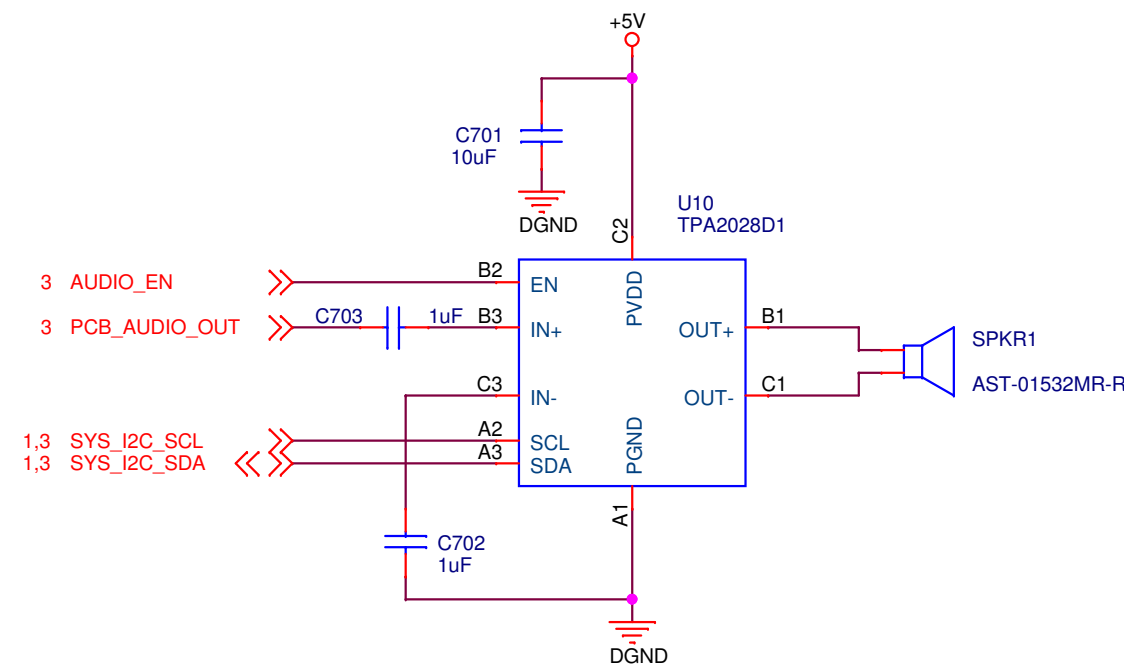
## Extra Green LEDs




## Extra Blue LEDs

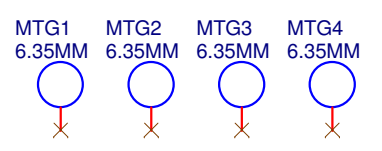


## Speaker

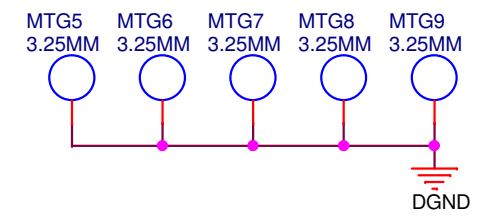


Schematic Prepared By:		Circuitbits 74 Tulip St. Keswick, ON L7B 1E8	
Schematic For:		<b>Mimetics; Digital Education</b>	
Title <b>Mimetics Jade Robot, MAIN Board R2</b>			
Size B	Document Number	Rev B	
	<b>JADE_MAIN_BRD_R2_SCH</b>		
Date:	Monday, October 14, 2013	Sheet	7 of 11

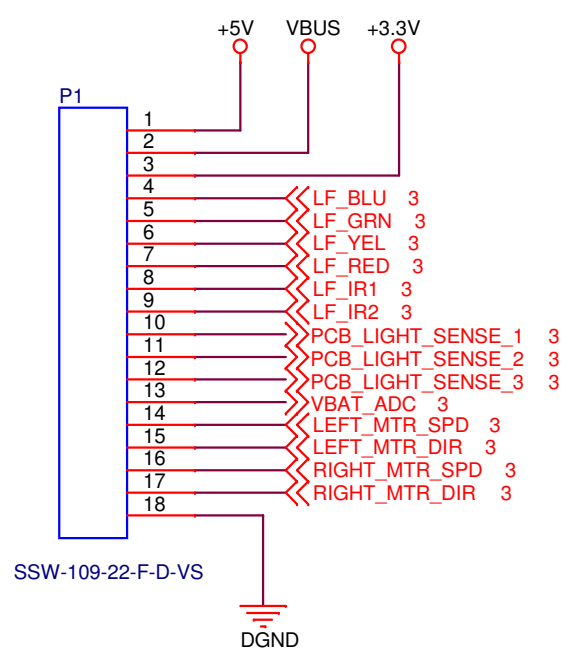
### OLED Mounting Holes




### MAIN Board Mounting Holes



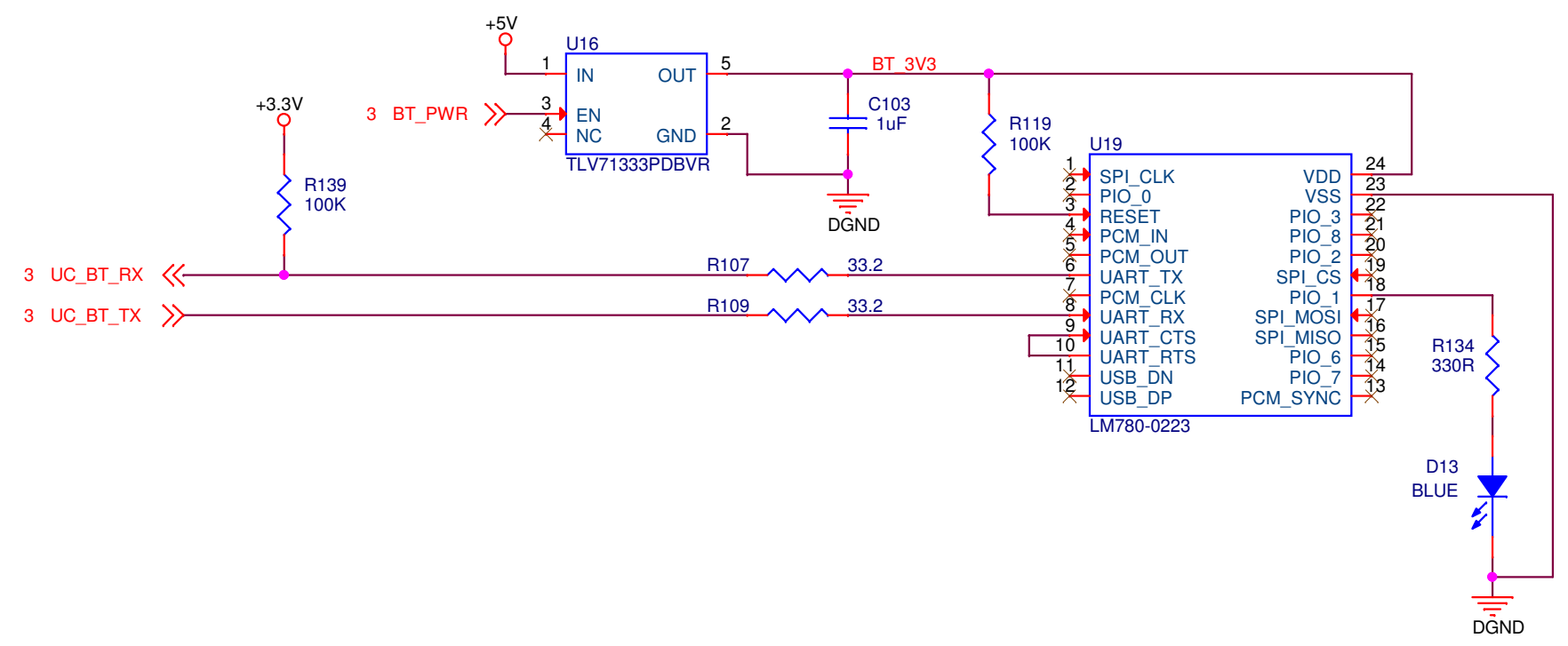
### Main Interface Connector




Schematic Prepared By:		Circuitbits 74 Tulip St. Keswick, ON L7B 1E8	
Schematic For:		<b>Mimetics; Digital Education</b>	
Title <b>Mimetics Jade Robot, MAIN Board R2</b>			
Size B	Document Number <b>JADE_MAIN_BRD_R2_SCH</b>	Rev B	
Date:	Monday, October 14, 2013	Sheet	8 of 11

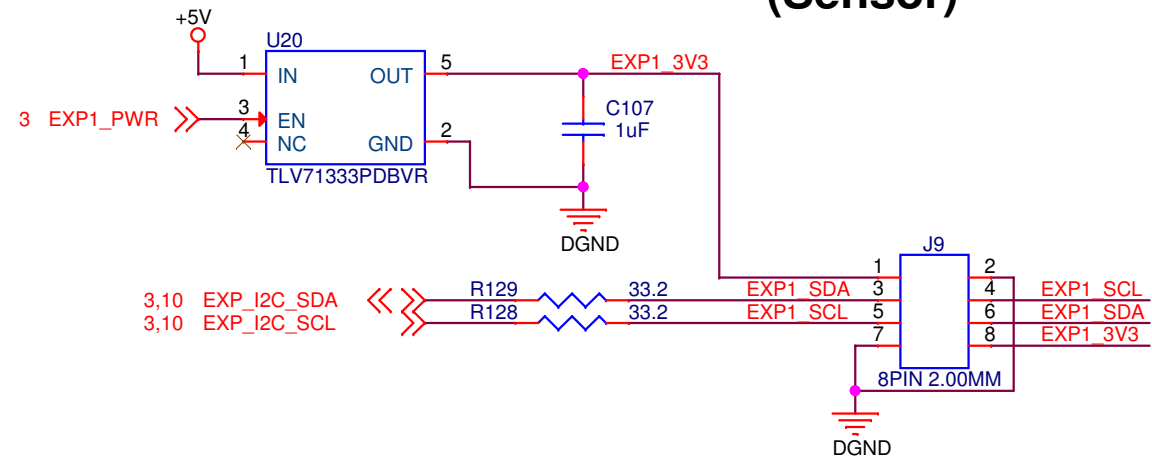


### BT Module

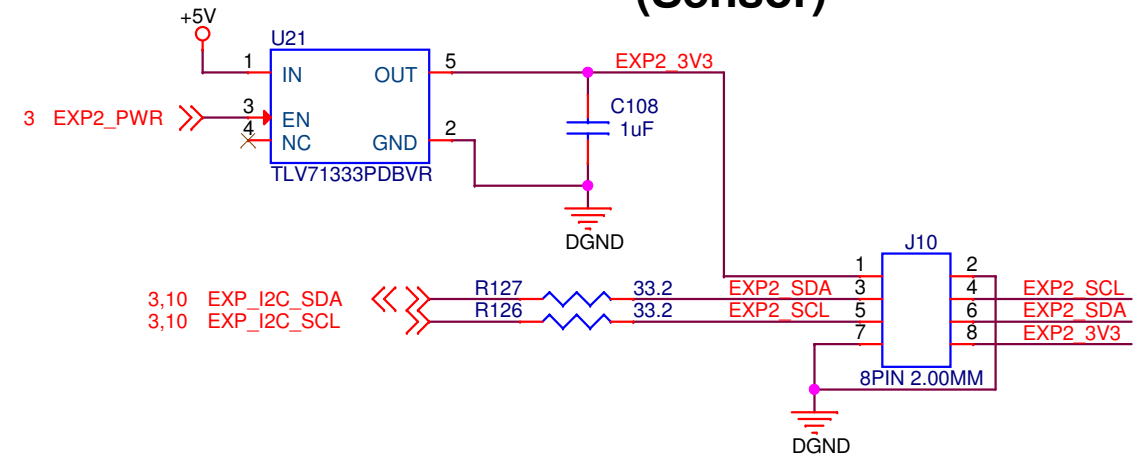


Schematic Prepared By:		Circuitbits 74 Tulip St. Keswick, ON L7B 1E8	
Schematic For:		<b>Mimetics; Digital Education</b>	
Title		<b>Mimetics Jade Robot, MAIN Board R2</b>	
Size B	Document Number	JADE_MAIN_BRD_R2_SCH	Rev B
Date:	Monday, October 14, 2013	Sheet	9 of 11

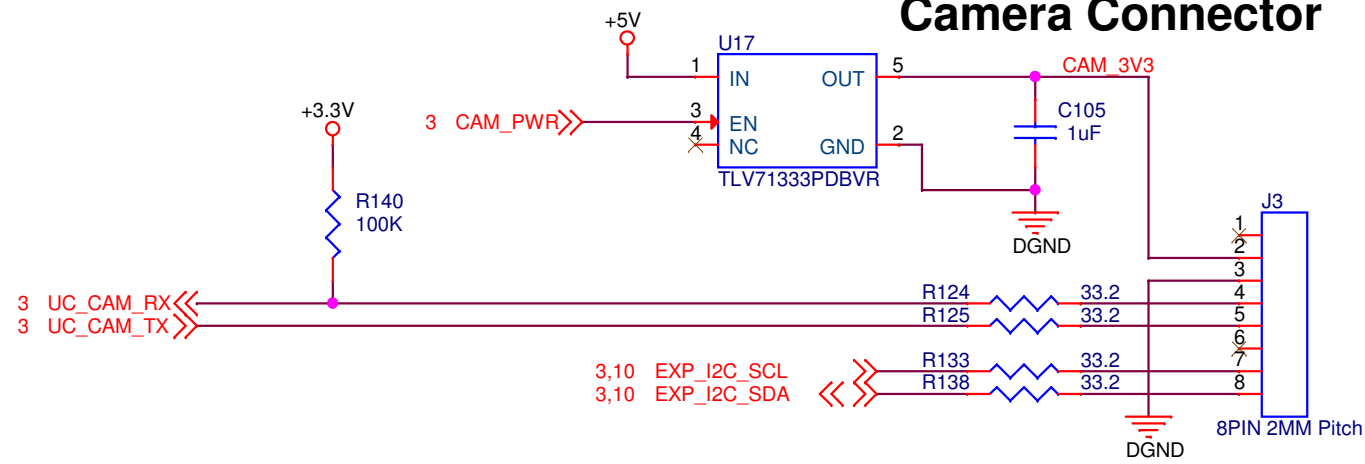
### Expansion Connector 1 (Sensor)




### Expansion Connector 2 (Sensor)

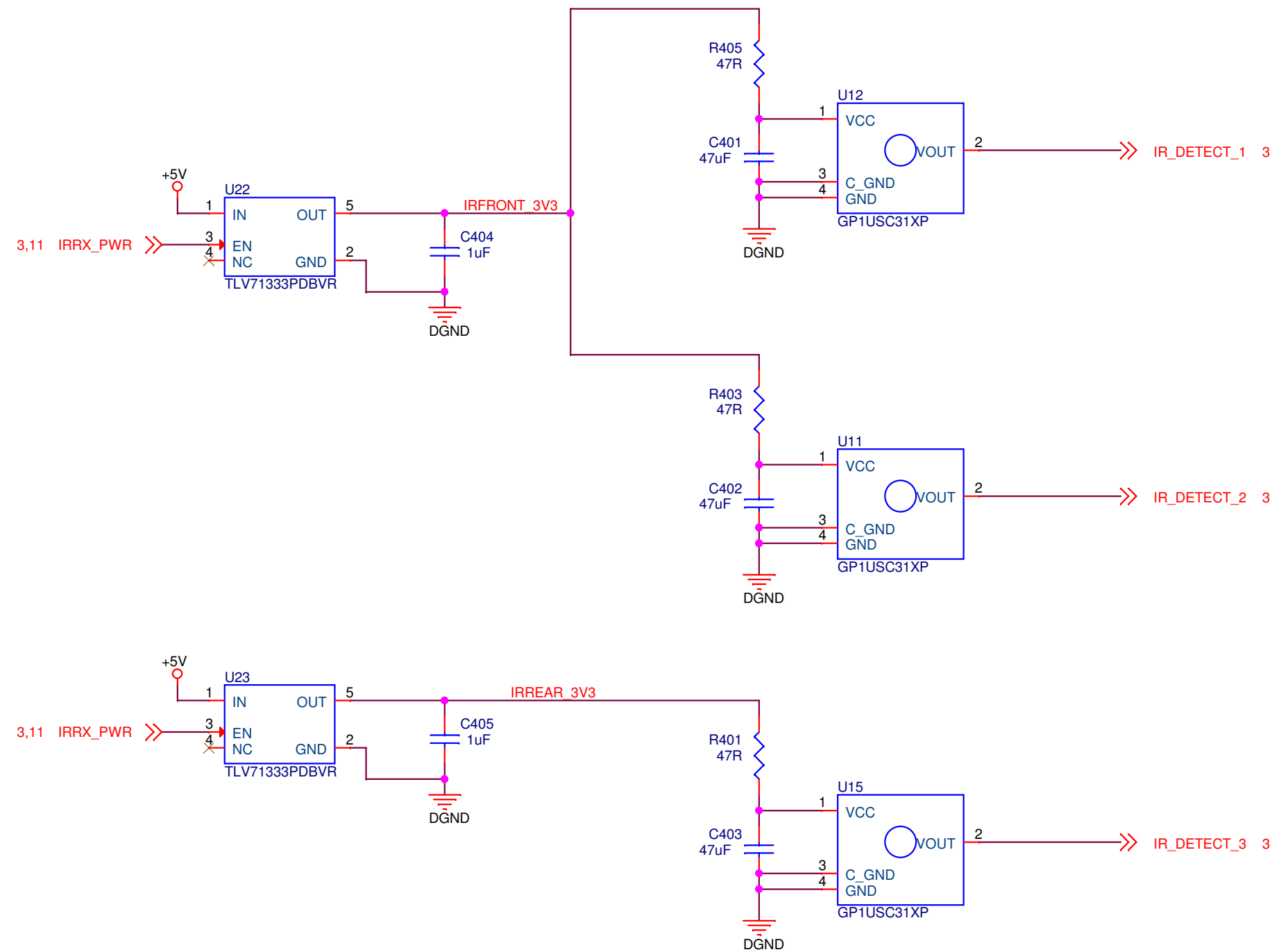



### Camera Connector



Schematic Prepared By:		Circuitbits 74 Tulip St. Keswick, ON L7B 1E8	
Schematic For:		<b>Mimetics; Digital Education</b>	
Title		<b>Mimetics Jade Robot, MAIN Board R2</b>	
Size B	Document Number	JADE_MAIN_BRD_R2_SCH	Rev B
Date:	Monday, October 14, 2013	Sheet 10 of 11	1

## IR Receiver



Schematic Prepared By:		Circuitbits 74 Tulip St. Keswick, ON L7B 1E8	
Schematic For:		<b>Mimetics; Digital Education</b>	
Title			
<b>Mimetics Jade Robot, MAIN Board R2</b>			
Size B	Document Number	JADE_MAIN_BRD_R2_SCH	Rev B
Date:	Monday, October 14, 2013	Sheet	11 of 11