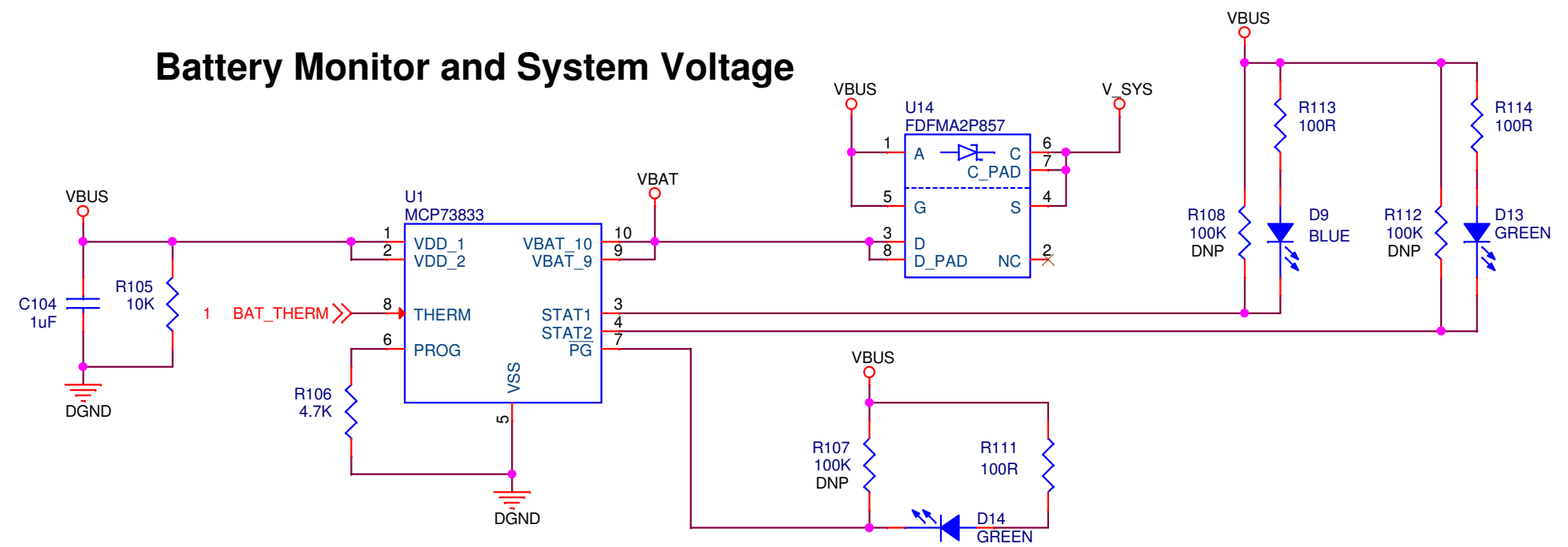
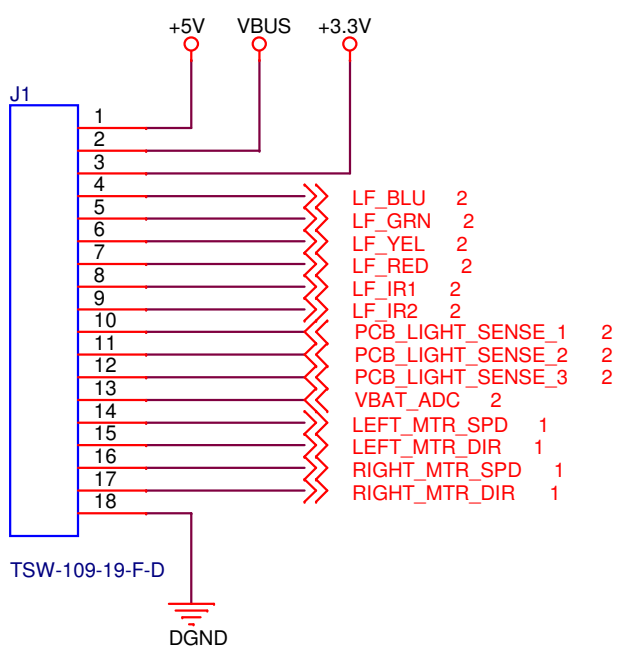


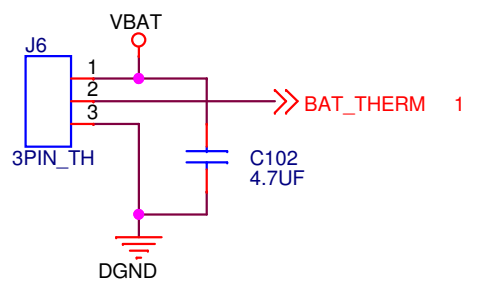
# Battery Monitor and System Voltage



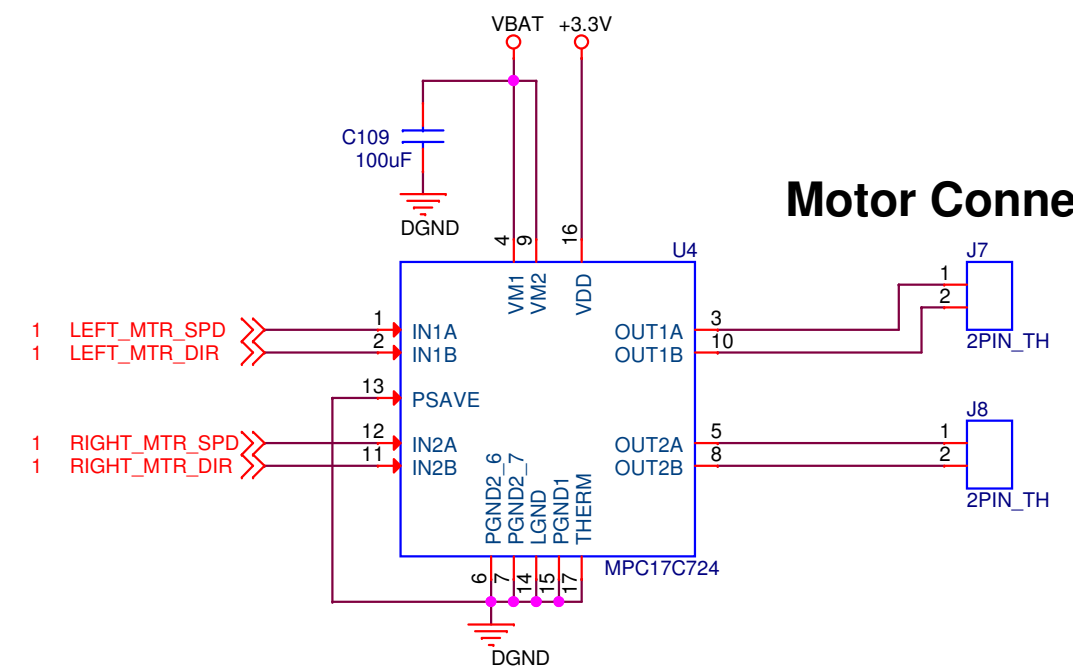
## Main Interface Connector



## Battery Connector

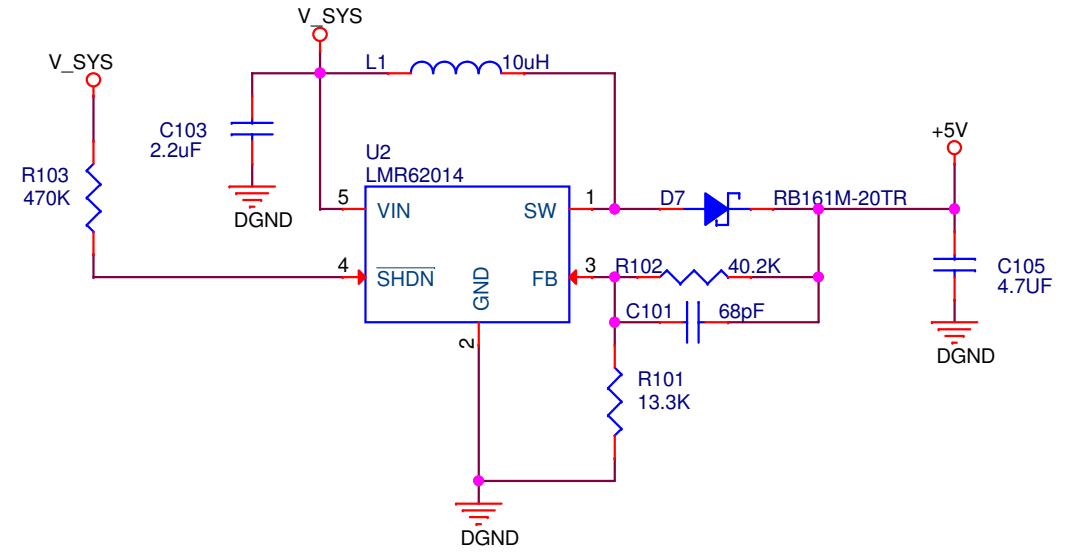


## Motor Control



## Motor Connectors

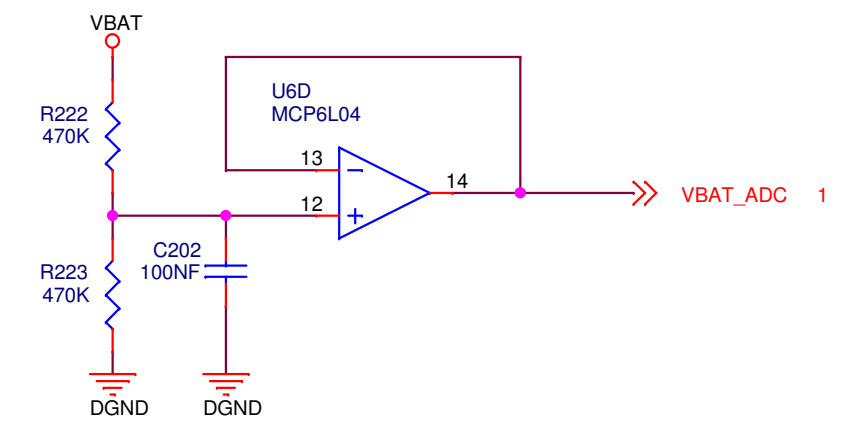
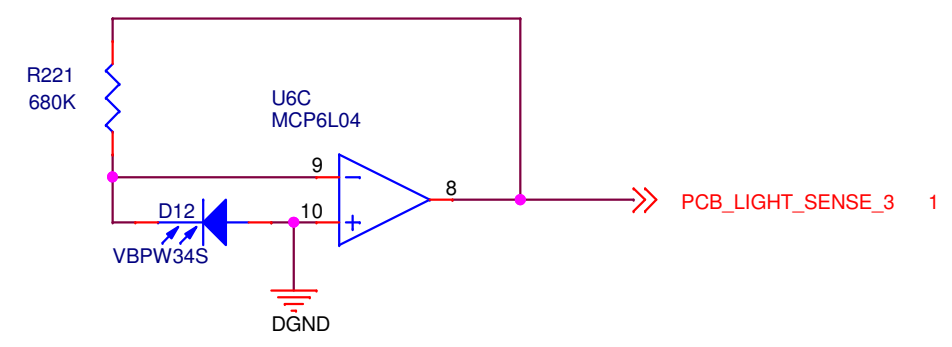
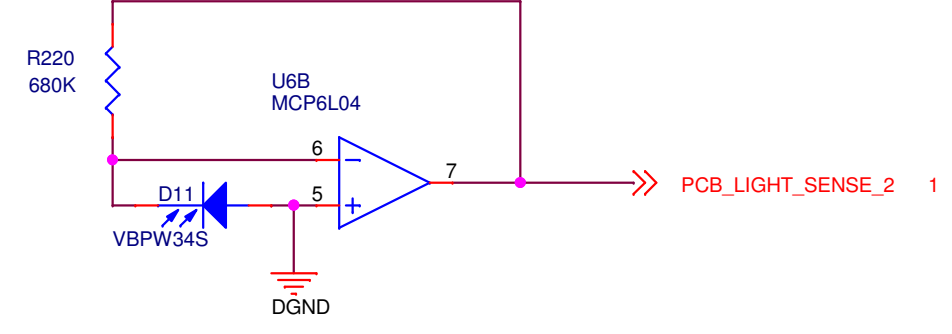
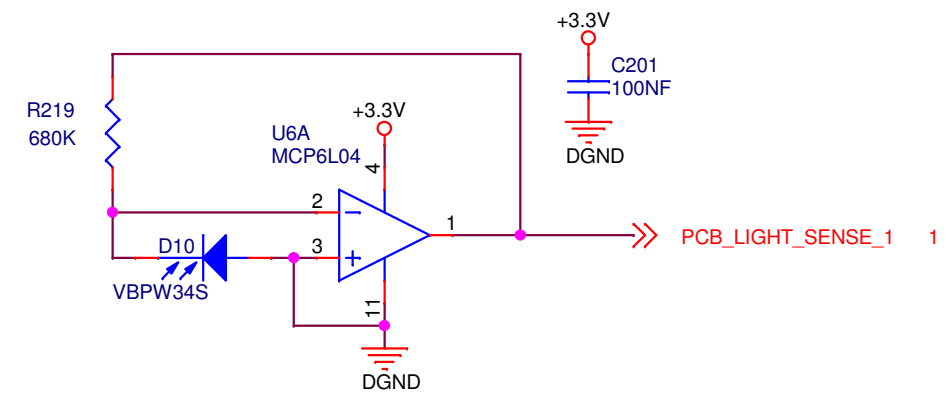
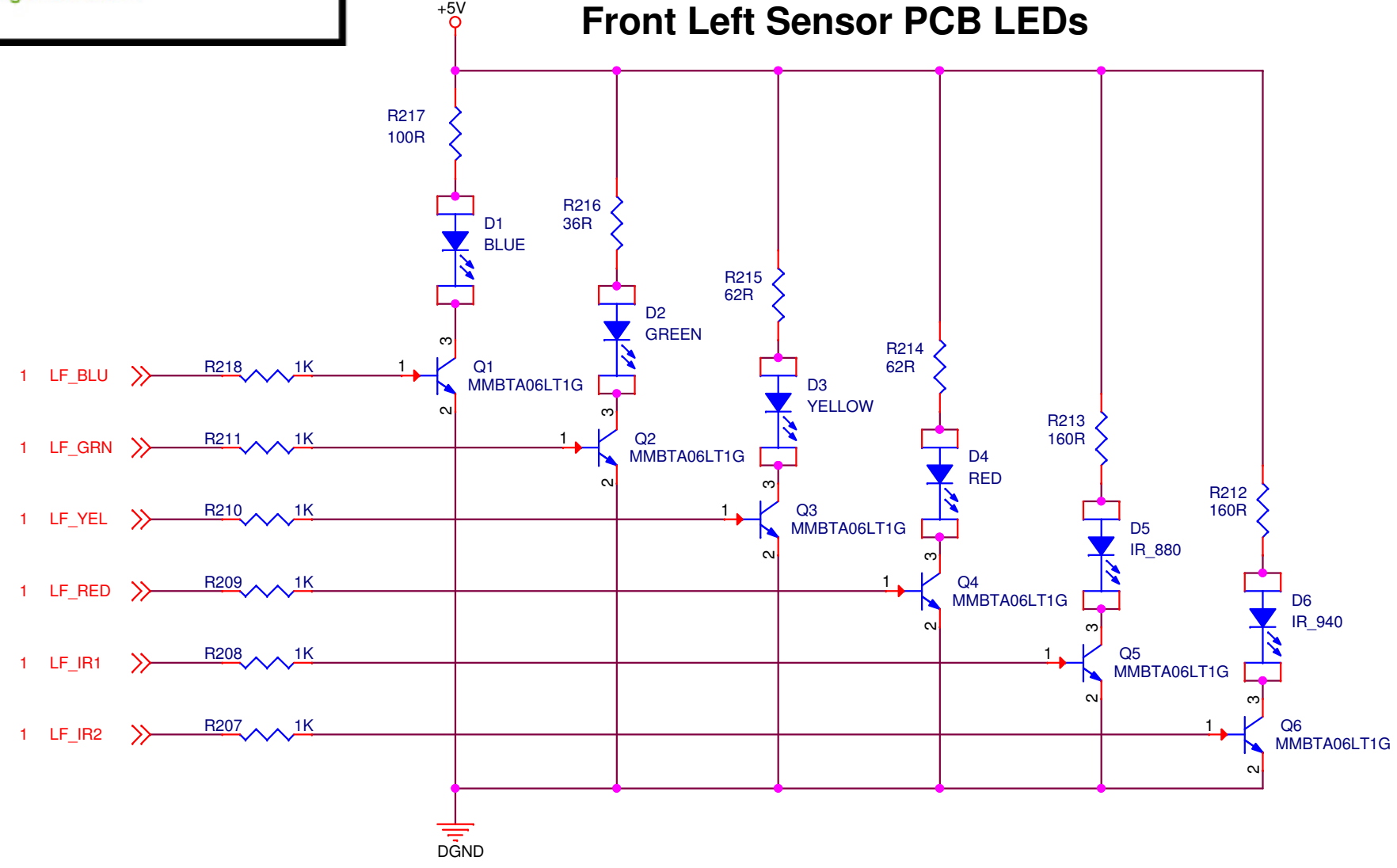
## +5V Switcher



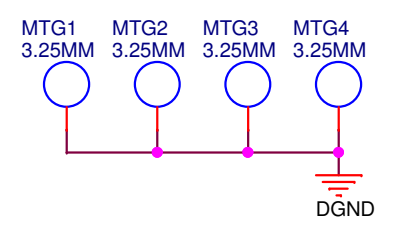
Schematic Prepared By:		Circuitbits 74 Tulip St. Keswick, ON L7B 1E8	
Schematic For:		<b>Mimetics; Digital Education</b>	
Title		<b>Mimetics Jade Robot, SENSOR Board R2</b>	
Size B	Document Number	JADE_SENSOR_BRD_R2_SCH	Rev B
Date:	Tuesday, September 17, 2013	Sheet	1 of 2

# Sensor PCB Light Sensors

## Front Left Sensor PCB LEDs



## SENSOR Board Mounting Holes



Schematic Prepared By:		Circuitbits 74 Tulip St. Keswick, ON L7B 1E8	
Schematic For:		<b>Mimetics; Digital Education</b>	
Title		<b>Mimetics Jade Robot, SENSOR Board R2</b>	
Size B	Document Number	JADE_SENSOR_BRD_R2_SCH	Rev B
Date:	Tuesday, September 17, 2013	Sheet	2 of 2